



Smart power conversion for the energy revolution!
Ideal solution for C&I, AC & DC micro-grids or electric vehicles, among others.

Innovative technology:

Stabiliti 30C3 is an innovative multiport power converter with **3 bidirectional ports** (2 DC and 1 AC) to easily interconnect **power sources** (grid, PV and batteries) and **loads** (AC or DC). Using a single multiport module offers much easier systems **integration, control** and ongoing **maintenance** by simplifying system level hardware and software design. The enclosure is IP54 and can therefore be installed indoors or **outdoors**.

Battery life is **extended** through **galvanic isolation** (protection against grid disturbances) and built-in smart **algorithms** to minimize battery stress. The wide DC voltage range allows the use of **multiple storage** technologies such as lead-acid, lithium-ion, super-caps, aqueous batteries, flow batteries or flywheels. The galvanic isolation also maximizes **PV production** over the long-term, by reducing PID (Potential-Induced Degradation).

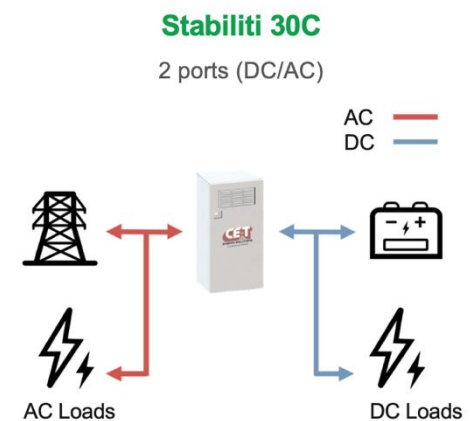
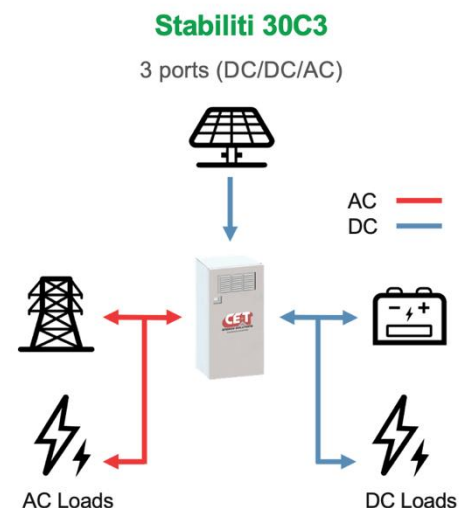
Applications:

The Stabiliti can be used for energy management applications for:

- **Commercial and Industrial (C&I):**
 - Increase **self-consumption** of **renewable** energies
 - Minimize demand costs by peak shaving
 - **Be paid** for **grid support** (re injection and demand response)
 - **Backup** and **pure power** for **AC & DC loads** (no voltage drops, sags or surges)
- **Microgrids:**
 - **Same advantages** as C&I solution but for **several consumers**
 - **Grid-tied** or **off-grid**
 - **Save fuel** for generators (consuming more the renewable production)
- **Electric vehicles:**
 - Integrate **renewable** energy, **storage** and **fast chargers**
 - **Reduce energy cost** (via renewable and increased self-consumption)
 - **Backup** for **EV** and **loads** (AC & DC)
 - **Supports Vehicle-to-Grid** "V2G"

Building Blocks:

Stabiliti is a **30 kW modular power converter** that can be used to design systems of **up to 240 kW**. Depending on your requirements, select **Stabiliti 30C3 (AC/DC/DC)** or **Stabiliti 30C (AC/DC)**.



Illustrations are non-binding and may include customized fittings.

Stabiliti 30C3 & 30C

Model	Stabiliti 30C3	Stabiliti 30C
General		
Part Number	30C3	30C
Size (W x H x D)	20.5" x 40" x 16" / 520 x 1016 x 406 mm	
Weight	135 lbs / 61 kg	
Enclosure protection	NEMA-3R / IP54 (powder-coated aluminum)	
Mounting	Wall mount (vertical)	
Wiring	Hinged access panel	
Isolation between AC and DC ports	Galvanic isolation	
Certifications	UL1741, UL1741SA and IEEE1547a	
Compliances	CA Rule 21, PJM, RoHS and Reach	
SunSpec compliance	Models: 1, 103, 120, 121, 122, 123, 126, 129, 130, 132, 134, 135 and 136 (pending)	
AC Grid port (In / Out)		
Output power	60 Hz: 30 kW / 50 Hz: 25 kW	
Nominal current (maximum)	60 Hz: 37 A (44 A) / 50 Hz: 39 A (44 A)	
Nominal output voltage (range)	3 x 480 Vac (422 to 528) / 3 x 400 Vac (334 to 440)	
Nominal output frequency (range)	60 Hz (55 to 65 Hz) / 50 Hz (45 to 55 Hz)	
Power factor (programmable range)	> 0.99 at rated output power (0.75 leading to 0.75 lagging)	
Reactive power range (programmable)	+21 kVAR to -21 kVAR	
Conversion efficiency (CEC*)	95.5% (95%)	
Current harmonics	< 5% THD	
Microgrid features	Load following and voltage forming	
Microgrid black start	Integrated	
DC Battery port (In / Out)		
Output power	30 kW	
Output current	60 A	
Output voltage range	100 to 1000 Vdc (derating below 500 Vdc)	
Open-circuit voltage (Voc)	1000 Vdc	
DC Filter	Integrated differential choke	
DC Disconnect	External	
Wiring configurations	Ground referenced (monopolar or bipolar) or floating	
GFDI protection	1 A: fused	
DC PV port (In / Out)		
Output power	30 kW	-
Output current	60 A	-
Output voltage range	100 to 1000 Vdc (derating below 500 Vdc)	-
Open-circuit voltage (Voc)	1000 Vdc	-
DC Filter	Integrated differential choke	-
DC Disconnect	External	-
Wiring configurations	Common with DC battery port (ground referenced or floating)	
GFDI protection	1 A: fused	-
Monitoring and control		
Available control methods	Idle, net, power (grid and battery), current (battery) and MPPT (PV)	
Monitoring / Control interfaces	RS-485 Modbus RTU - 2W / Modbus TCP over Ethernet	
Logs	Saves operating data when a fault occurs	
Firmware updates	Remote	
Environmental		
Transient overvoltage protection	AC and DC MOVs in wiring tray	
Operating temperature	-25 to 60°C (derating starting at 50°C)	
Storage temperature	-40 to 85°C	
Relative humidity	0 to 100% (non-condensing)	
Cooling	Forced air (with variable speed fan)	

* Based on California Energy Commission (CEC) efficiency calculation. **Stabiliti 30C3 & 30C - Datasheet - v1.3** Specifications can change without notice. New data will be updated on our websites: www.cet-power.com and www.cet-energrid.com. The present equipment is protected by several international patents, trademarks and copyrights.